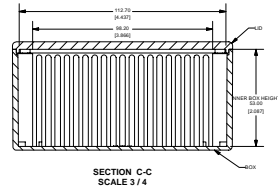
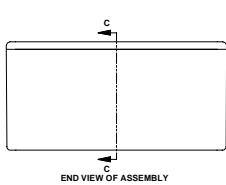
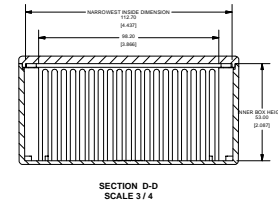
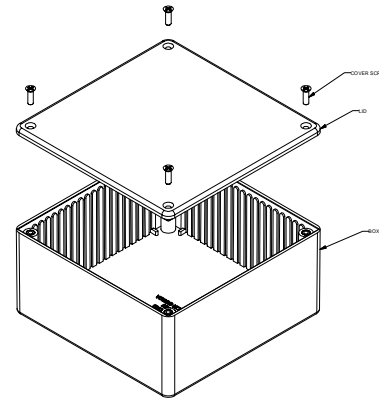


**1591U**



PART NUMBERS			
1591U Enclosures			
Material	Colour	Part Number	
ABS	Black	1591UBK	
	Blue	1591UBLU	
	Grey	1591UGY	
	Black Shielded	1591RUBK	
GP ABS	Black	1591USBK	
Translucent Polycarbonate	Ice Blue	1591UTBU	
	IR Red	1591UTRD	
	Crystal Clear	1591UTCL	
Accessories			
Used with ABS and Translucent Polycarbonate Enclosures	PC Board Card Adapters	See Accessories Section	
	Flange Kits	See Accessories Section	
	Replacement Screws, nickel plated M3 - 0.5 x 10mm (Pack of 100)	1591MS100	
	BeltPocket Clip, w/ nylon screws (insulated to avoid interference) and mounting template	1591MS100BK (Black)	
	Clear Lids - clear, flame retardant polycarbonate - Lid ONLY	1599CLIPGY - Grey	
	PC Board Card Adapters	1591UC	
	Used with GP ABS Enclosure	PC Board Card Adapters	See Accessories Section
		Flange Kits	See Accessories Section
		BeltPocket Clip, w/ nylon screws (insulated to avoid interference) and mounting template	1599CLIP - Black
		Replacement Screws, self tapping, black oxide, #4 x 0.5, Pack of 100	1599CLIPGY - Grey
Clear Lids - clear, flame retardant polycarbonate - Lid ONLY	1591TCL		
Required Torque for Enclosures (No Lubrication)			
M3 - 0.5 x 10mm Screws		30-40 cN/m	
#4 x 0.5 Screws		30-40 cN/m	